

MODEL C-SR-WTP(S)

Field Supplied Plenum Ceiling Radiation Damper Installation Instructions

(damper into wood truss system with angle or hanging wire)

- (A) Damper Assembly
- (B) Grille (Alum. or Steel)
- (C) $\frac{3}{4}$ " x $\frac{3}{4}$ " x 26 ga or 18 SWG steel wire (min.)
- (D) Flex Duct (UL Classified)
- (E) Wood Truss
- (F) $\frac{5}{8}$ " Gypsum Wall Board
- (G) RC Channel
- (H) Fasteners (min. 16d nail, #8 screw or bolt)
- (I) Fasteners (min. #8 screw)
- (J) Duct Board Plenum, 22 ga galv. steel plenum, or 26 ga galv. steel plenum with min. 1" wrap insulation
- (K) Minimum 18 ga galv. steel hanging tabs (field supplied), 1 per corner

1.) Ceiling penetrations shall be placed between adjacent trusses and RC channels (one RC-Channel may be cut if absolutely necessary to achieve proper damper location and installation). The maximum space between the damper body and the edges of the cutout in the ceiling shall not exceed $\frac{1}{16}$ " on any side.

2.) The grille shall be secured to the damper assembly using min. #8 screws through the recessed drywall flange of the damper (drywall will be between the grille flange and the drywall flange of the damper assembly). Min. 2 fasteners (1 each on opposite sides of the damper) required.

3.) Damper shall be supported with $\frac{3}{4}$ " x $\frac{3}{4}$ " x 26 ga or 18 SWG steel wire (min.) attached to the trusses with 16d nails or min. 2" long #8 screws or bolts. Angles/wire fastened to minimum 18 ga steel hanging tabs on plenum with max. $\frac{1}{2}$ " long #10 screws as shown to evenly support damper.

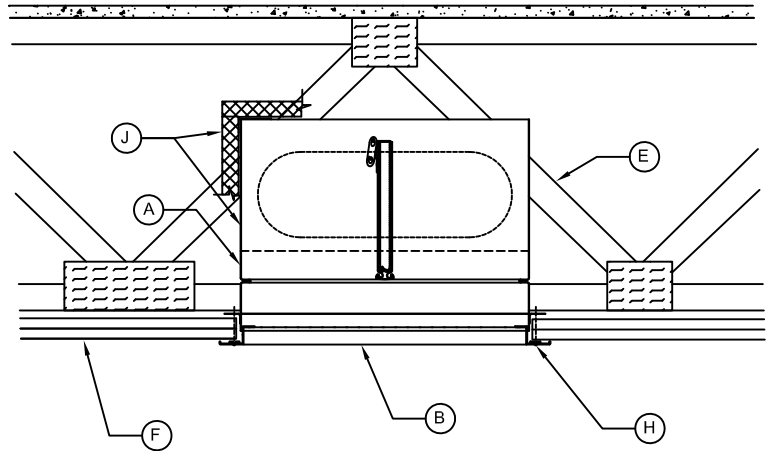
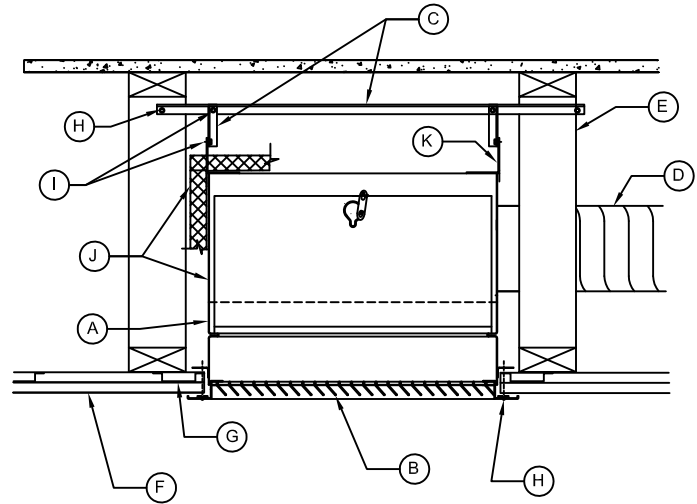
4.) Flex duct must be UL Classified (Class 0 or 1). Flex duct connection must always be done in accordance with with ADC (Air Distribution Council) standard procedure.

Additional Notes:

a.) Addition of horizontal supports must not interfere or adversely affect the structural integrity of the truss system

b.) Screws, rivets, bolts, nails, etc., used in the installation MUST NOT interfere with damper blade operation.

c.) Side inlets in field supplied plenums must not exceed 76.12 sq. inches.



Intended for installation in Fire Resistance Design Nos. L546, L558, L574, L585, M520, P533, P538, P545, P547, & P559.

MODEL C-SR-WTP(S) Installation Instructions

DRAWN BY: CLJ	DATE: 6-26-14	REV. DATE: 7-10-14
REV. NO. 1	APPROVED BY: MD	DWG. NO.: P-93h